

TI59 Aircraft Dry-Cell Battery

The Tesla™ TI59 Aircraft Dry-Cell Battery provides faster, cooler aircraft starts while eliminating the problems normally associated with aviation batteries and battery maintenance. The TI59 provides more power than comparable NiCd batteries with no risk of thermal runaway. Plus, Tesla™ stands behind the TI59 with a three-year warranty, a trained military support team, and an experienced staff of customer service professionals.



Power Anytime, Anywhere

Features:

- Rated to 750 peak starting amps
- Maintenance-free design
- Durable, corrosion resistant titanium housing
- 5 to 7-year service life with a 3-year warranty
- Non-hazardous, lead dry-cell technology
- Lightweight titanium tie-down bracket



Tesla™ Industries, Inc.

www.teslainsd.com

Email: tesla1@teslainsd.com

Headquarters: (302) 324-8910

109 Centerpoint Blvd. New Castle, DE 19720 USA

Western Regional Office: (775) 622-8801

9475 Double R Blvd. Suite 2, Reno, NV 89521 USA

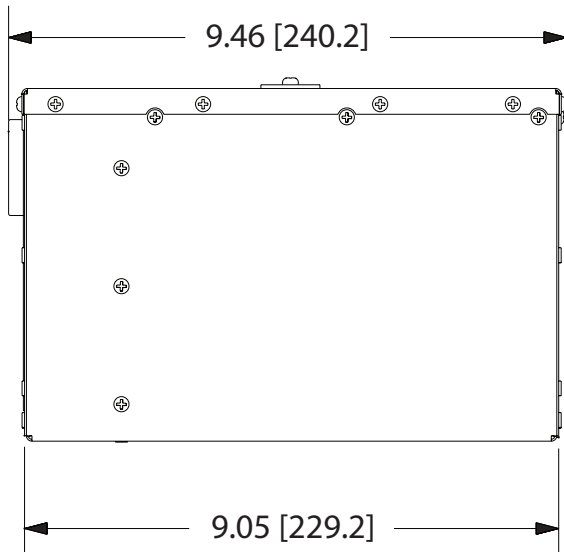


The **POWER**
of
RED™

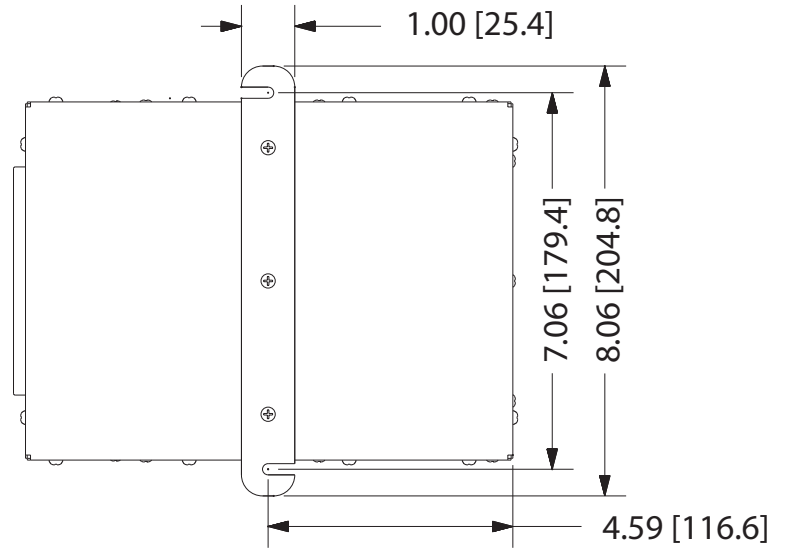


Dimensions and Technical Specifications

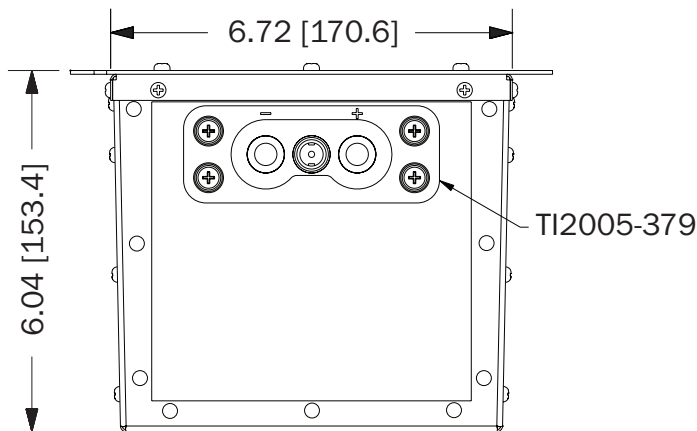
* All dimensions are in inches [millimeters]



Side View



Top View



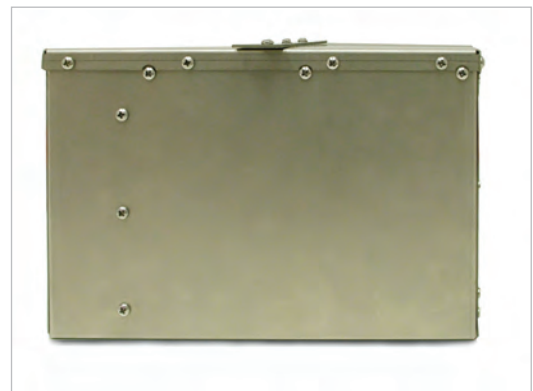
Front View



Front View

Technical Specifications:

Peak Starting Amps	750 A
Storage Temperature	-65 °C - +60 °C (-85 °F - 140 °F)
Operating Temperature	-40 °C - +60 °C (-40 °F - 140 °F)
Rated Current	10 amp hours
Normal Voltage	24 V
Shock	50 G
Vibration	Exceeds MIL-STD-810F
Weight	22 lbs (9.98 kg)
Warranty	3 years



Side View