



Power Anytime, Anywhere

# TI3000 GPU-24



## Benefits

- Ideal for hangars, FOBs, motor pools, and deployments
- Perfect for testing and troubleshooting (avionics, TMDE, electronics, and hydraulics)
- System back-charges from the started vehicles' engine in minutes
- Will charge and maintain vehicle batteries when unit is left connected to vehicle (AC power required)
- Safe, easy, maintenance-free operation

## Safe and Easy Operation

- One person can maneuver and operate the unit
- Safe for flight, non-hazardous, dry-cell technology
- "Push to Test" feature provides instant state of charge

## Pure Power

- No spikes or surges
- 3000 peak starting amps
- 46 amp hours of rechargeable battery power without AC
- 96 amp hours with AC power
- Operates and charges from 95-260 VAC power 50/60 Hz
- 50 amps of continuous power @ 28.5 VDC (when plugged into AC power)

Tesla™ Industries, Inc.

[www.teslaind.com](http://www.teslaind.com)

Email: [tesla1@teslaind.com](mailto:tesla1@teslaind.com)

**Headquarters:** (302) 324-8910

109 Centerpoint Blvd. New Castle, DE 19720 USA

**Western Regional Office:** (775) 622-8801

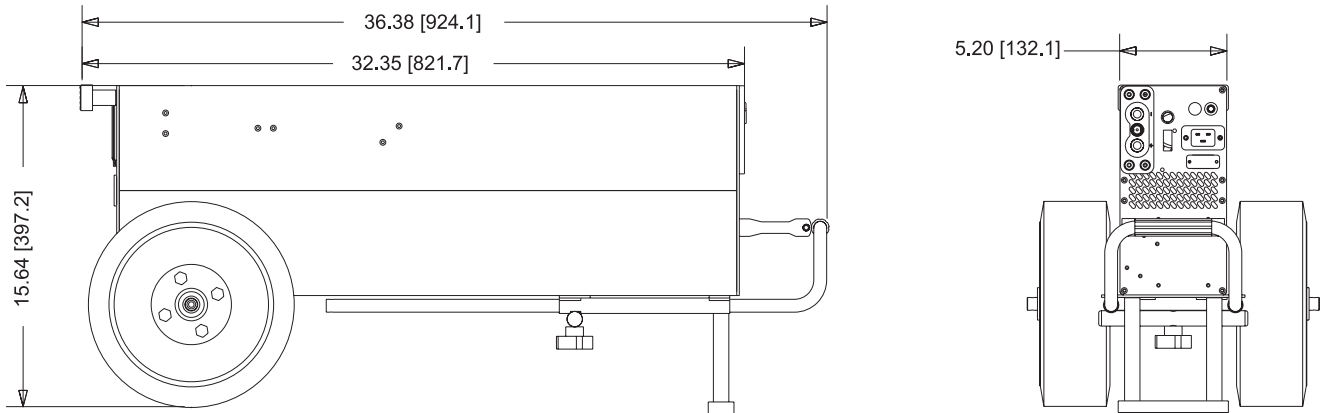
9475 Double R Blvd. Suite 2, Reno, NV 89521 USA



The **POWER**  
Of  
**RED**™



# Dimensions and Technical Specifications



\* All dimensions are in inches [millimeters]

## Technical Specifications:

|                                    |  |
|------------------------------------|--|
| DC Output                          | 46 amp hours (1024 watts) of rechargeable power without AC power<br>96 amp hours (2449 watts) with AC power<br>50 amps of continuous power @ 28.5 VDC (plugged into AC power)          |
| Peak Starting Amps                 | 3000 A   |
| AC Input Power                     | <ul style="list-style-type: none"> <li>Operates and charges from Single Phase 95-260 VAC, 50/60/400 Hz</li> <li>20 Amps @ 120 VAC 60 Hz</li> <li>10 Amps @ 240 VAC 50/60 Hz</li> </ul> |
| Recharging Rate                    | 60 minutes (from full discharge) @ 25 °C   |
| Vibration                          | Exceeds MIL-STD-810F   |
| Storage Temperature                | -65 °C to 60 °C (-85 °F to 140 °F)   |
| Operating Temperature w/o AC Power | -40 °C to 60 °C (-40 °F to 140 °F)   |
| Operating Temperature w/ AC Power  | -40 °C to 55 °C (-40 °F to 131 °F)   |
| Weight                             | 127 lbs (57.60 kg)   |
| Warranty                           | 2 years (3 years optional)   |



Front Faceplate



TI3000 GPU with DC Aviation Cable