

TIAH-64D MPU

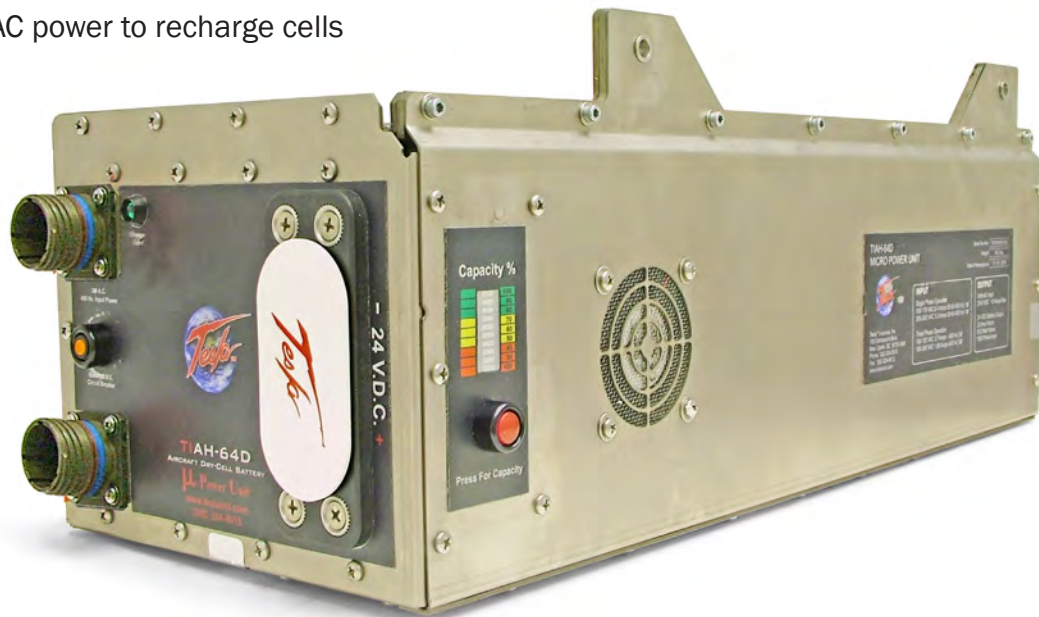
The Tesla™ TIAH-64D Micro Power Unit is a complete battery system that incorporates patented power cell technology with an intelligent charging system and AC-DC converter. Specifically designed to fit the AH-64D Apache Longbow Helicopter, the TIAH-64D provides more power than comparable NiCd batteries with no risk of thermal runaway. And, this state-of-the art Micro Power Unit will charge from the helicopter's 200 VAC 3-Phase 400 Hz power or from 110/220 outlet power. As always, Tesla™ stands behind the TIAH-64D with a three-year warranty, a trained military support team, and an experienced staff of customer service professionals.



Power Anytime, Anywhere

Features:

- Maintenance-free design
- 24.0 VDC @ 23 amp hours rechargeable power
- 28.5 VDC @ 10 amps continuous power for testing and troubleshooting avionics and weapons systems
- 5 to 7-year service life with a 3-year warranty
- Non-hazardous, dry-cell technology
- Built in Capacity Meter/Recharge State Indicator
- Charges from 200 VAC 3-phase, 400Hz power when installed in aircraft
- Also plugs into AC power to recharge cells



Tesla™ Industries, Inc.

www.teslaind.com

Email: tesla1@teslaind.com

Headquarters: (302) 324-8910

109 Centerpoint Blvd. New Castle, DE 19720 USA

Western Regional Office: (775) 622-8801

9475 Double R Blvd. Suite 2, Reno, NV 89521 USA

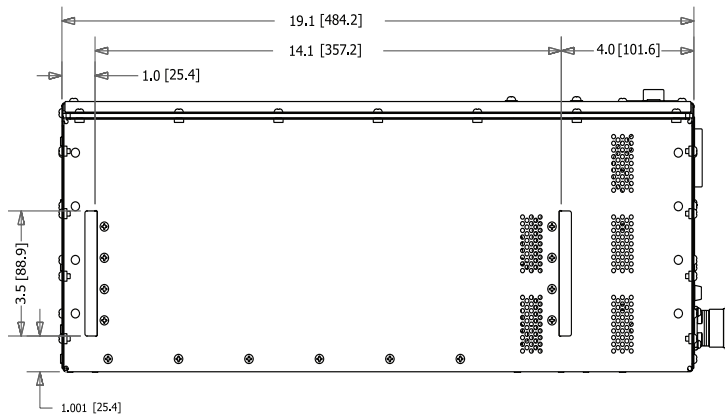


The **POWER**
of
RED™

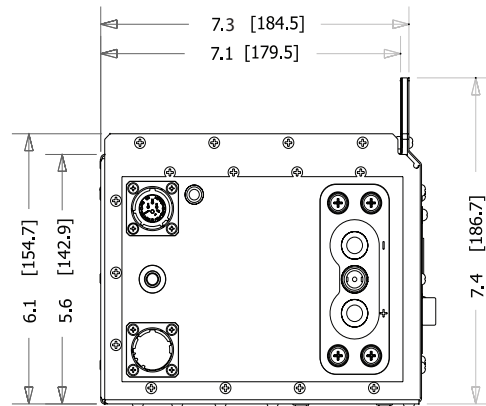


Dimensions and Technical Specifications

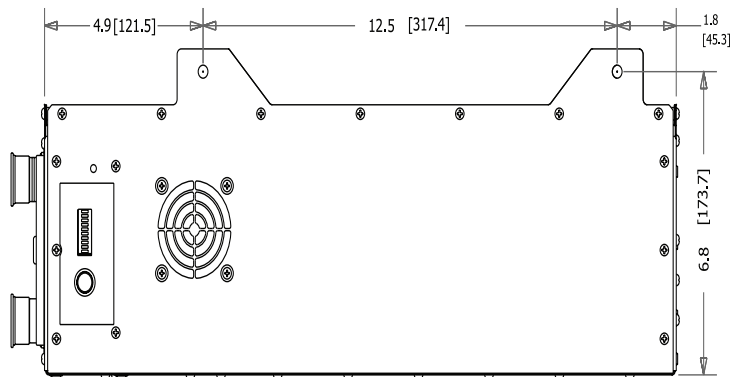
* All dimensions are in inches [millimeters]



Top View



Front View



Side View



The TIAH-64D MPU installed in an AH-64D Apache Helicopter.

Technical Specifications:

Storage Temperature	-65 °C - +60 °C (-85 °F - 140 °F)
Operating Temperature	-40 °C - +60 °C (-40 °F - 140 °F)
DC Output - continuous	28.5 VDC @10 amps
DC Output - rechargeable	24.0 VDC @ 23 amp hours
AC Input Power	105-125 VAC, 50/60 Hz 3.2 amps max. 210-250 VAC, 50/60 Hz 1.6 amps max.
AC Input Power from Aircraft	200 VAC 3-phase, 400Hz
Recharging Rate	2 hours 20 minutes w/AC power
Shock	50 G
Vibration	Exceeds MIL-STD-810F
Weight	52.6 lbs (23.9 kg)
Warranty	3 years



Front View